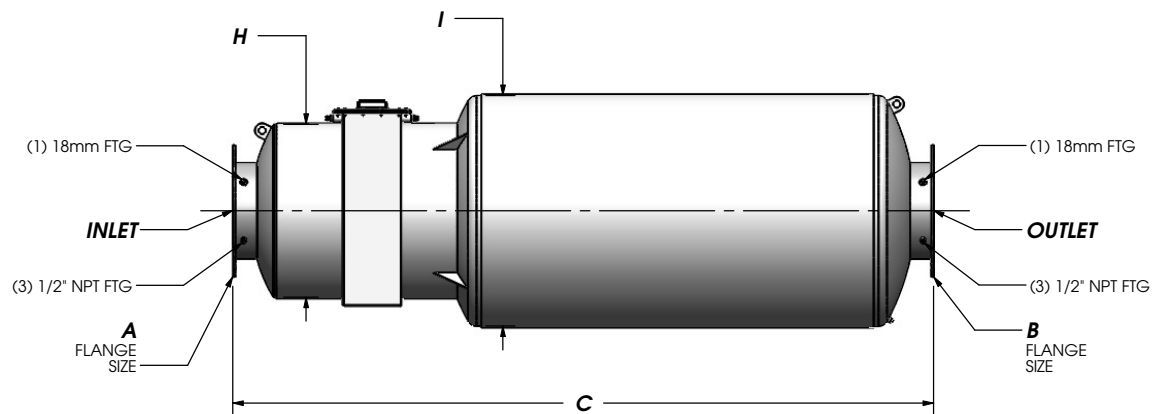
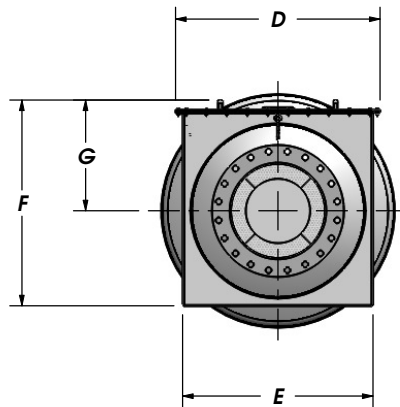
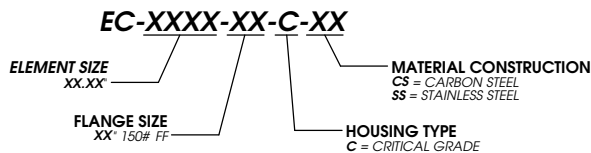


MODEL	WEIGHT (lbs.)	A (in.)	B (in.)	C (in.)	D (in.)	E (in.)	F (in.)	G (in.)	H(in.)	I (in.)
EC-0800-02-C-XX	159	2" - 150#	2" - 150#	58.000	15.019	12.019	14.216	8.207	8.000	12.000
EC-0800-03-C-XX	179	3" - 150#	3" - 150#	60.000	15.019	12.019	14.216	8.207	8.000	14.000
EC-1000-02-C-XX	176	2" - 150#	2" - 150#	58.000	17.019	14.019	16.216	9.207	10.000	12.000
EC-1000-03-C-XX	195	3" - 150#	3" - 150#	60.000	17.019	14.019	16.216	9.207	10.000	14.000
EC-1200-03-C-XX	217	3" - 150#	3" - 150#	61.000	19.019	16.019	18.216	10.207	12.000	14.000
EC-1200-04-C-XX	234	4" - 150#	4" - 150#	61.000	19.019	16.019	18.216	10.207	12.000	16.000
EC-1200-05-C-XX	260	5" - 150#	5" - 150#	65.000	19.019	16.019	18.216	10.207	12.000	18.000
EC-1450-05-C-XX	289	5" - 150#	5" - 150#	65.000	21.519	18.519	20.716	11.457	16.000	18.000
EC-1450-06-C-XX	338	6" - 150#	6" - 150#	69.000	21.519	18.519	20.716	11.457	16.000	22.000
EC-1450-08-C-XX	432	8" - 150#	8" - 150#	78.000	21.519	18.519	20.716	11.457	16.000	26.000
EC-1950-06-C-XX	413	6" - 150#	6" - 150#	75.000	26.519	23.519	25.716	13.957	20.000	22.000
EC-1950-08-C-XX	500	8" - 150#	8" - 150#	85.000	26.519	23.519	25.716	13.957	20.000	26.000
EC-1950-10-C-XX	605	10 - 150#	10 - 150#	96.000	26.519	23.519	25.716	13.957	20.000	30.000
EC-2350-10-C-XX	805	10 - 150#	10 - 150#	95.000	30.625	27.625	29.875	16.063	24.000	30.000
EC-2350-12-C-XX	955	12 - 150#	12 - 150#	103.000	30.625	27.625	29.875	16.063	24.000	34.000
EC-2350-14-C-XX	1062	14 - 150#	14 - 150#	109.000	30.625	27.625	29.875	16.06	24.000	36.000
EC-2650-10-C-XX	845	10 - 150#	10 - 150#	93.000	33.625	30.625	32.875	17.563	28.000	30.000
EC-2650-12-C-XX	998	12 - 150#	12 - 150#	102.000	33.625	30.625	32.875	17.563	28.000	34.000
EC-2650-14-C-XX	1103	14 - 150#	14 - 150#	108.000	33.625	30.625	32.875	17.563	28.000	36.000
EC-2850-12-C-XX	1025	12 - 150#	12 - 150#	102.000	35.625	32.625	34.875	18.563	28.000	34.000
EC-2850-14-C-XX	1130	14 - 150#	14 - 150#	108.000	35.625	32.625	34.875	18.563	28.000	36.000
EC-2850-16-C-XX	1353	16 - 150#	16 - 150#	117.000	35.625	32.625	34.875	18.563	28.000	42.000
EC-3025-14-C-XX	1143	14 - 150#	14 - 150#	108.000	37.375	34.375	36.625	19.438	30.000	36.000
EC-3025-16-C-XX	1368	16 - 150#	16 - 150#	117.000	37.375	34.375	36.625	19.438	30.000	42.000
EC-3025-18-C-XX	1543	18 - 150#	18 - 150#	126.000	37.375	34.375	36.625	19.438	30.000	45.000
EC-3025-20-C-XX	1747	20 - 150#	20 - 150#	136.000	37.375	34.375	36.625	19.438	30.000	48.000
EC-3350-16-C-XX	1508	16 - 150#	16 - 150#	128.000	40.625	37.625	39.875	21.063	34.000	42.000
EC-3350-18-C-XX	1677	18 - 150#	18 - 150#	136.000	40.625	37.625	39.875	21.063	34.000	45.000
EC-3350-20-C-XX	1884	20 - 150#	20 - 150#	146.000	40.625	37.625	39.875	21.063	34.000	48.000
EC-3550-16-C-XX	1541	16 - 150#	16 - 150#	127.000	42.625	39.625	41.875	22.063	36.000	42.000
EC-3550-18-C-XX	1709	18 - 150#	18 - 150#	136.000	42.625	39.625	41.875	22.063	36.000	45.000
EC-3550-20-C-XX	1916	20 - 150#	20 - 150#	145.000	42.625	39.625	41.875	22.063	36.000	48.000



NOTES:

- WEIGHTS ARE APPROXIMATE WITH (2) ELEMENTS
- THIS EQUIPMENT SHALL BE SUPPORTED SUCH THAT NO MOMENTS OR FORCES ARE ON THE INLET AND OUTLET FLANGES



DRAWN	JU	DATE	1/27/2011
ENGINEER	-	DATE	-
APPROVED	-	DATE	-

PROPRIETARY AND CONFIDENTIAL

THIS DRAWING CONTAINS PROPRIETARY INFORMATION WHICH IS TO BE HELD CONFIDENTIAL AND MAY NOT BE REPRODUCED OR DISCLOSED TO OTHERS WITHOUT THE PRIOR WRITTEN CONSENT OF EMERACHEM OR A DULY AUTHORIZED REPRESENTATIVE THEREOF.

e^c EmeraChem™

DRAWING EC-XXXX-XX-C-XX REV **2**

CRITICAL GRADE COMBO SIZING DRAWING

SHEET 1 OF 1