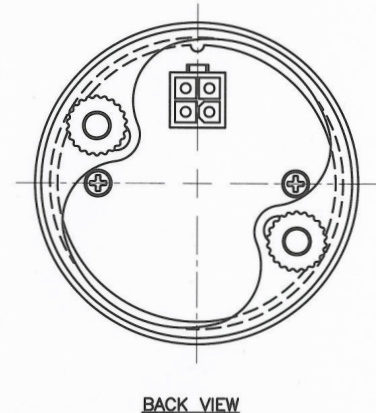
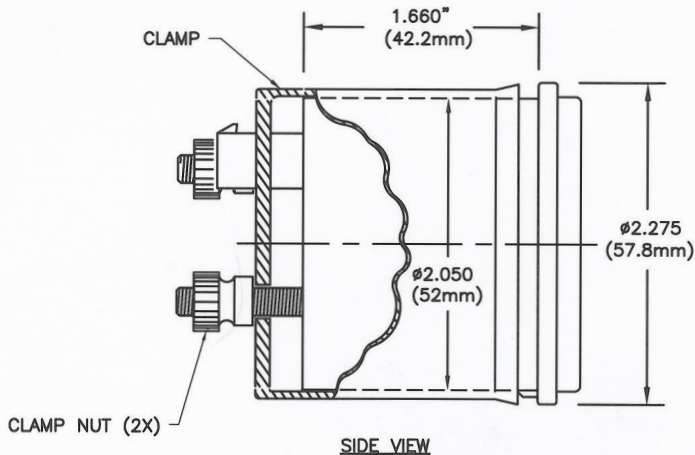
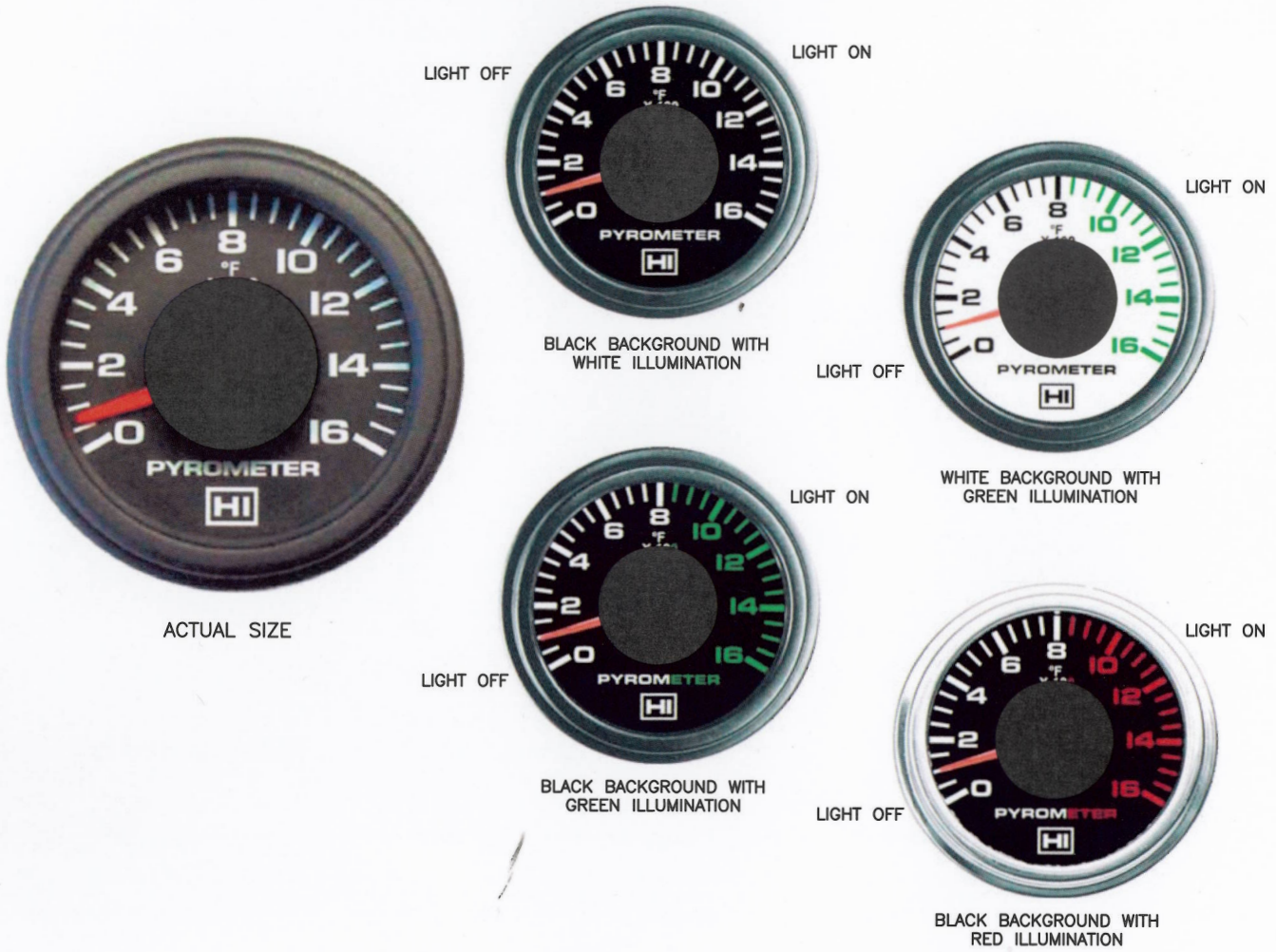


PART NUMBER	DIAL	NUMERALS	BEZEL	PART NUMBER	DIAL	NUMERALS	BEZEL
010-210-11-A	BLACK	WHITE	POLISHED	010-210-13-A	BLACK	RED	POLISHED
010-210-11-D	BLACK	WHITE	BLACK	010-210-13-D	BLACK	RED	BLACK
010-210-12-A	WHITE	GREEN	POLISHED	010-210-14-A	BLACK	GREEN	POLISHED
010-210-12-D	WHITE	GREEN	BLACK	010-210-14-D	BLACK	GREEN	BLACK
010-210-12-E	WHITE	GREEN	WHITE				

FRONT VIEWS



REVISIONS					TOLERANCES		HEWITT INDUSTRIES OF LOS ANGELES	
REV.	DESCRIPTION	EO#	DATE	BY	UNLESS OTHERWISE SPECIFIED:			
1	ENGINEERING RELEASE	-	10/02/07	EJM	DIMENSIONS ARE IN INCHES, METRIC TOLERANCES ARE IN [BRACKETS]: .X = .030 [0.25] .XX = .010 [0.13] .XXX = .005 FRACTIONS = 1/32 ANGLES = ±1°			
A	REVISED PER ECO #	ECO 375	01/10/08	EJM				
					SCALE:	NONE		DATE:
							TITLE:	
							2" PYROMETER	
							DRAWN BY: E.MARIANO	
							PART NO. 010-210-XX-X	
							APPR. BY: B.DANKMYER	
							SHEET 1 OF 1	

A