

# Cable Kit Family

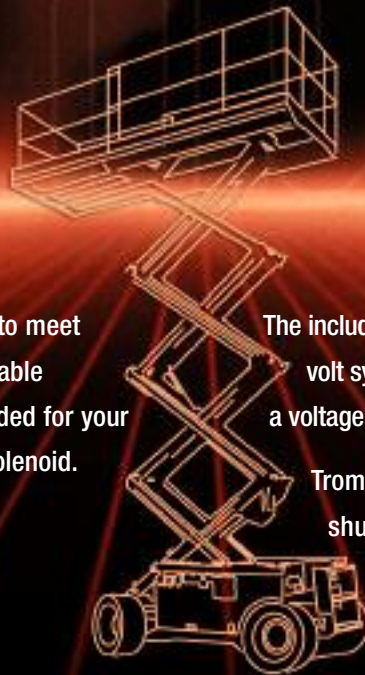
*“Flexible Locations.  
Rigid Standards.”*



The Cable Kit Family can be adjusted to meet your application – simply attach the cable to the load and setting the stroke needed for your application with the adjustor on the solenoid.

The included electronic controller works in both 12 & 24 volt systems. The controller is rated to operate over a voltage range of 8-30v with the appropriate solenoid.

Trombetta's Cable Kits are used for fuel shut-off, throttle control, compression release, compressors, and generators.



## Cable Kit Family (Patented)

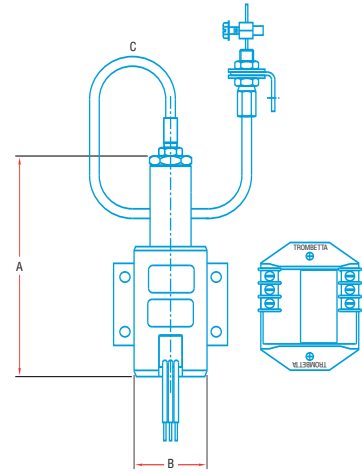
### Cable Kit Family

Series	Max Stroke	Max Force	A Inches [mm]	B Inches [mm]	C Inches [mm]
P613-K	1 1/2	20	6.10 [154.9]	2.00 [50.8]	Length variable

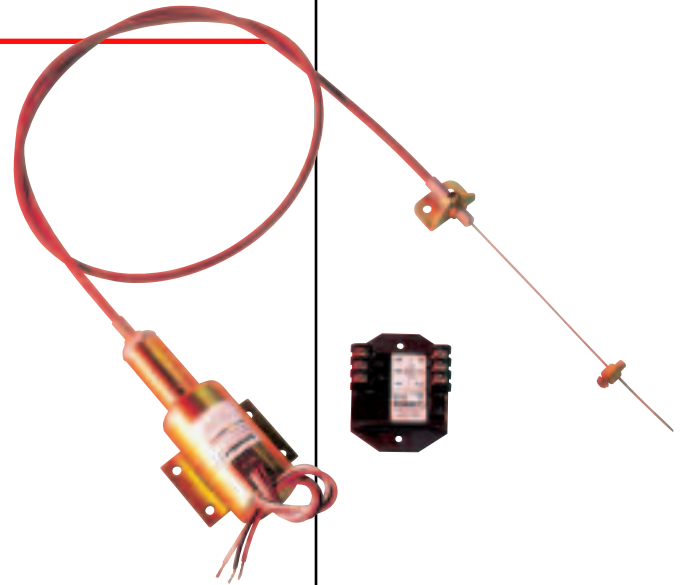
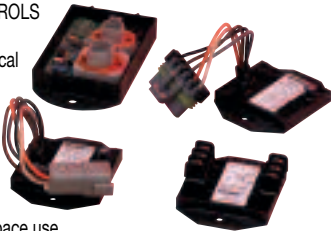
### General Specifications

Series	Pull Current Amps	Hold Current Amps	Pull Force At 68° F (20° C)	Hold Force At 68° F (20° C)
P613-K 12 Volt	68	0.9	20 lbs (89 Newtons)	40 lbs (178 Newtons)
P613-K 24 Volt	36	.48	20 lbs (89 Newtons)	40 lbs (178 Newtons)

Series	Max Ambient (Solenoid)	Max Coil	Max Solenoid Cycle Rate
P613-K 12 Volt	68	0.9	20 lbs (89 Newtons)
P613-K 24 Volt	36	.48	20 lbs (89 Newtons)



**TROMBETTA SOLENOID CONTROLS**  
Trombetta Electronic Controls regulate the magnitude of electrical drive applied to the coil during the pull-in and hold operation of the solenoid to optimize the performance of the solenoid. Using solenoid controls can show the benefit of employing smaller solenoids, maximizing space use.



SL1015Rev1