

MicroGenius[®] 2

Genset, Marine & Stationary Battery Charger



Installation & Operation Manual

180W: 12V, 10A; 24V, 6A

300W: 12V, 12A; 24V, 10A

450W: 12/24V, 15A

SENS Part Number: 101324
Document Revision: P
DCN Number: 107748
Date: December 2, 2019

PATENTED US 9,270,140; 9,385,556; 9,413,186; 9,509,164;
9,466,995; 9,948,125

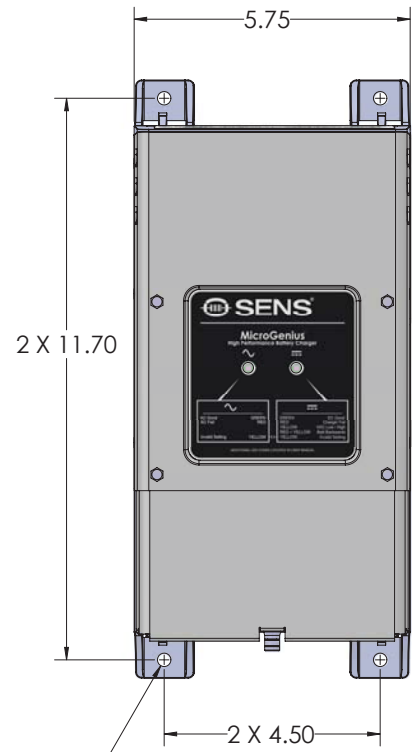
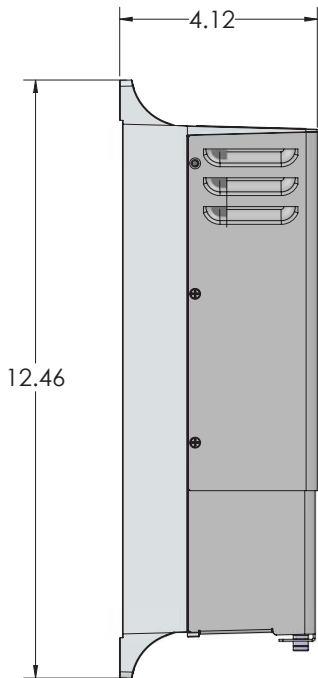
Installation or service questions?
Call SENS between 8 a.m. and 5 p.m. (Mountain Time),
Monday through Friday, or visit our website.



1840 Industrial Circle
Longmont, CO 80501
Phone: 303.678.7500
800.742.2326
Fax: 303.678.7504
Email: service@sens-usa.com
Web: www.sens-usa.com

ENCLOSED CHARGER

DCN		REV		REVISIONS		DATE	APPROVED
107038	A	INITIAL RELEASE		6/23/2014	JWF		
107141	B	UPDATE VIEWS AND MOUNTING DIMENSIONS		10/31/2014	JWF		
107158	C	UPDATE VIEWS AND CALLOUTS		12/19/2016	JWF		



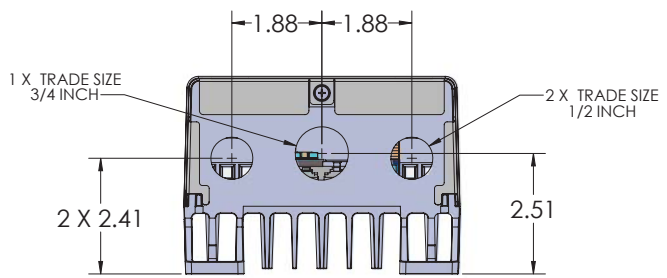
**FRONT VIEW
NO DISPLAY**



**FRONT VIEW
WITH OPTIONAL
DISPLAY**



**FRONT VIEW
WITH OPTIONAL
DISPLAY AND
OPTIONAL KEYPAD**



<p>SENS STORED ENERGY SYSTEMS</p> <p>PROPRIETARY AND CONFIDENTIAL</p> <p>THE INFORMATION CONTAINED IN THIS DRAWING IS THE SOLE PROPERTY OF STORED ENERGY SYSTEMS, LLC. ANY REPRODUCTION IN PART OR AS A WHOLE WITHOUT THE WRITTEN PERMISSION OF STORED ENERGY SYSTEMS, LLC, IS PROHIBITED.</p>	UNLESS OTHERWISE SPECIFIED: DIMENSIONS ARE IN INCHES DEFAULT TOLERANCES:	NAME	DATE	DESCRIPTION	
	DO NOT SCALE DRAWING	DRAWN	JWF	2/7/2014	2DCAD, MG2, ENCLOSED, STANDARD
		CHECKED			
		THIRD ANGLE PROJECTION		SIZE	DOCUMENT NUMBER
		<p>DIMENSIONS & TOLERANCES PER ASME Y14.5 - 2009</p>		<p>C</p> <p>2DCAD-MG2-STD-ENC</p>	
				REV	
				C	
				SHEET 1 OF 2	