

CVR

Battery High and Low Voltage monitoring relays



Features

- Monitors for healthy or faulty battery voltage
- Independent relay outputs for high and low voltage
- Low voltage override delay
- Compact, 11 pin plug-in case

CVR modules provide automatic, independent monitoring of battery/DC low or high voltage, with two relay outputs for activation of alarm or protection systems. The CVR monitors its own battery/DC supply, with only minimal internal power drain.

The **Low Voltage** relay is energised during healthy battery conditions. If the measured battery/DC voltage falls below the low voltage level, and remains there for the preset delay time, the low volts relay de-energises. The delay time prevents relay de-energisation during normal, temporary battery loading, e.g. during standby engine cranking.

If the voltage returns above the low voltage level, the delay timer resets and the relay stays/becomes energised.

The **High Voltage** relay is de-energised during healthy battery/DC conditions. If the measured voltage rises above the preset high voltage level, the high volts relay immediately energises. The relay immediately de-energises again if the battery/DC voltage returns below the high volts level.

Factory set low/high voltages and delays are:

	Low volts		High volts
	(V DC)	(secs)	(V DC)
CVR, 12V standard	11.0	120	15.5
CVR, 24V standard	22.0	120	29.0
CVR, non-standard	9.0 – 32.0	0 – 300	9.0 – 32.0

The CVR is housed in a compact case with industry standard 11 pin plug-in connection. A DIN rail/surface mount base is available as an optional accessory.

Specifications

Power supply

Maximum operating voltage:

32VDC

Minimum operating voltage (loss of control & time delay):

4 VDC

Relay output

Operating voltages/delays: see 'how to order' section

Contact type:

2 x SPDT, volt-free/dry

low volts: relay de-energised on fault

high volts: relay energised on fault

Contact ratings: 1A max. @ 30VDC (resistive load)

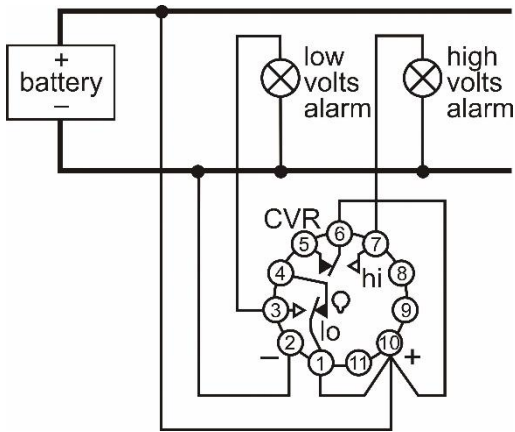
Physical

Operating temperature: -10 to +55°C / -4 to +140°F

Dimensions: see Dimensions section

Weights: 0.1Kg/0.2 lb

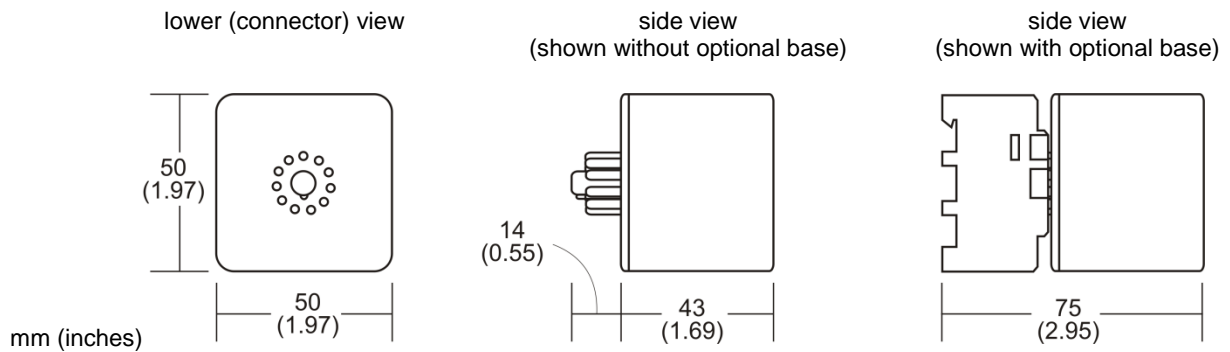
Electrical connection



Notes:

- 1) Relays shown in de-energised (powered down) state.
- 2) Typical connection shown driving warning lamps. CVR relay outputs (max. rating 1A @ 30VDC) may also be used to drive slave relays, alarm systems or controllers.
- 3) CVR pin 10 (positive DC) and 2 (negative DC) are used to power the CVR and monitor battery voltage.

Dimensions



How to Order

When ordering, please specify:

Stock code	Model	Standard factory settings:		
		Low volts, VDC	Low volts delay, secs	High volts, VDC
42.70.6000	CVR, 12V standard	11.0	120	15.5
42.70.6001	CVR, 24V standard	22.0	120	29.0
		Non-standard adjustment ranges, please specify the factory settings required:		
		Low volts, VDC	Low volts delay, secs	High volts, VDC
42.70.6025	CVR, non-standard	9.0 – 32.0	0 – 300	9.0 – 32.0
020-1003	Optional 11 pin plug-in base for above, DIN-rail/surface mount			