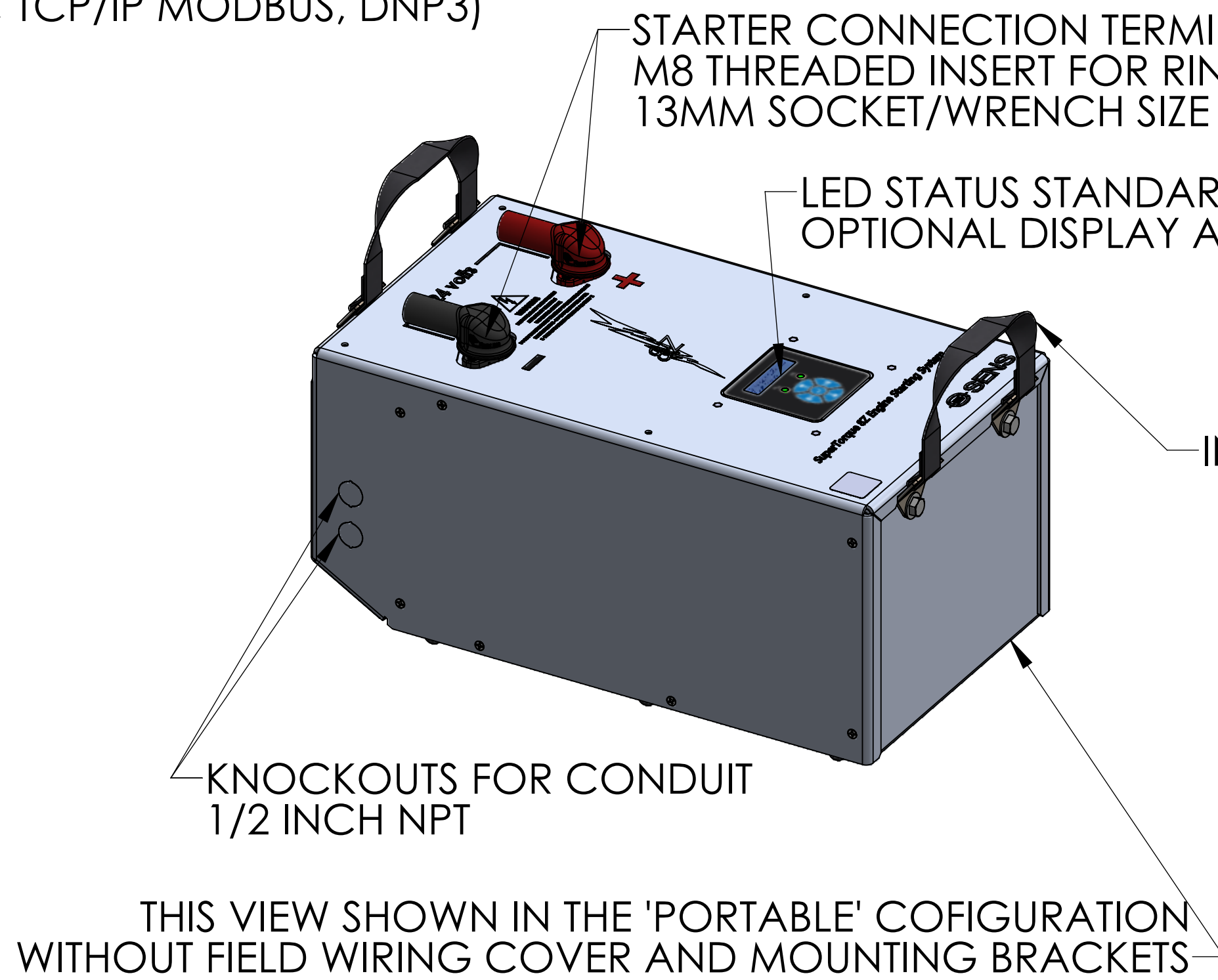
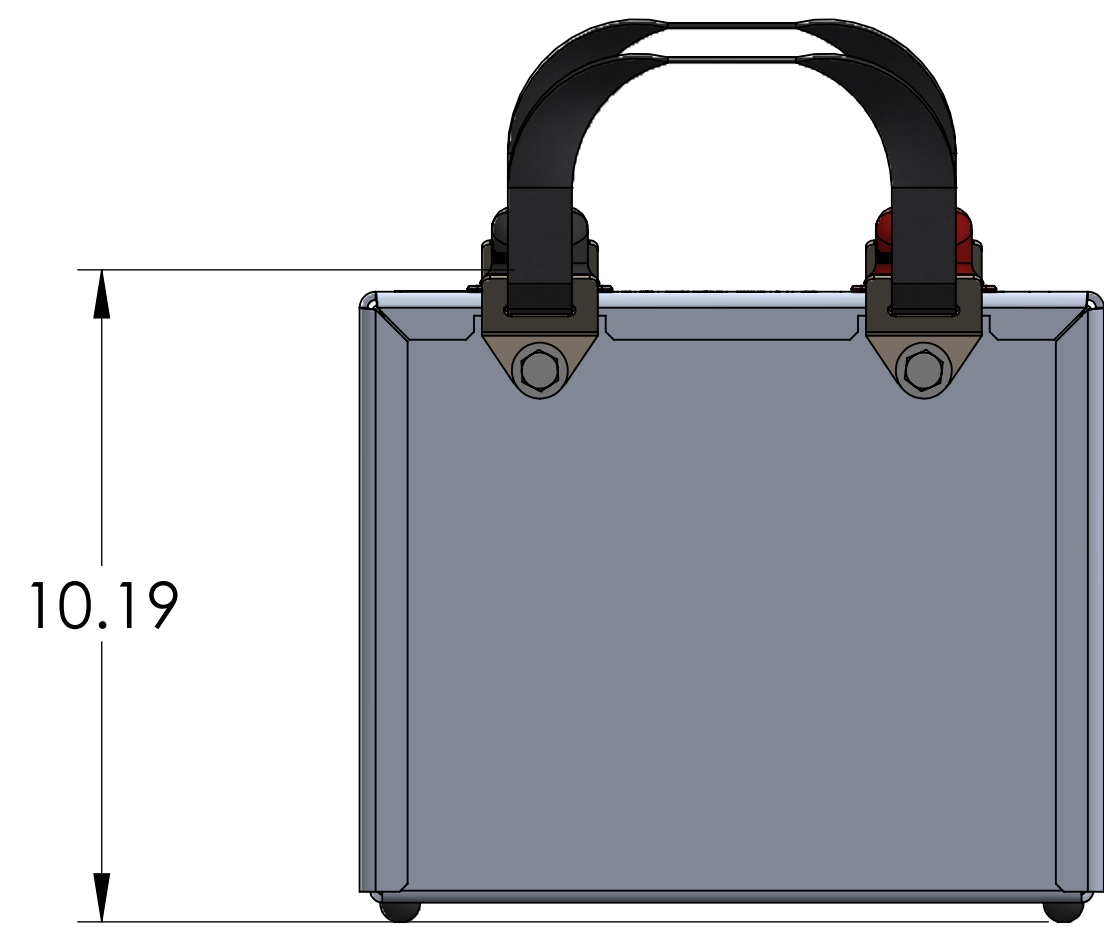
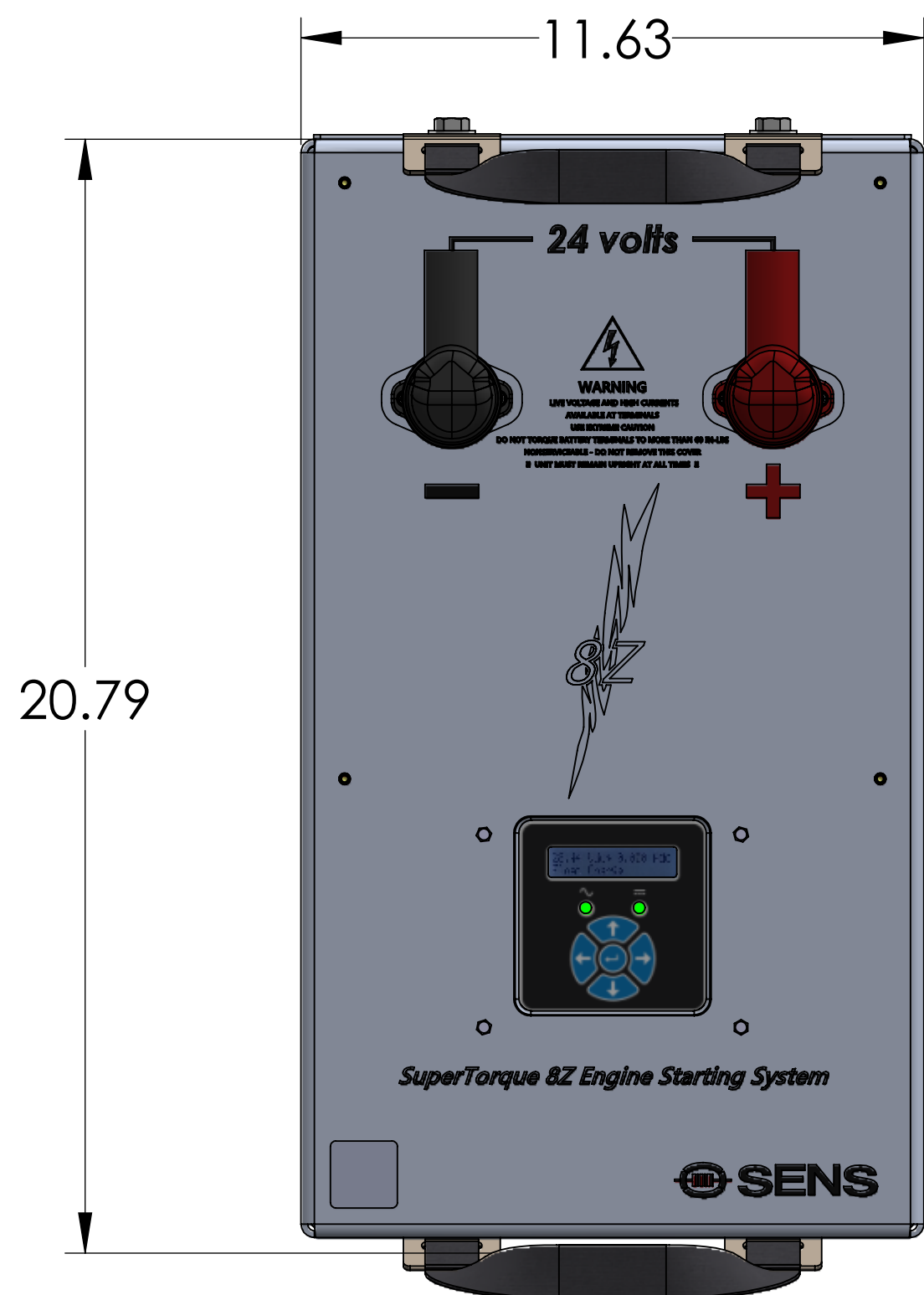
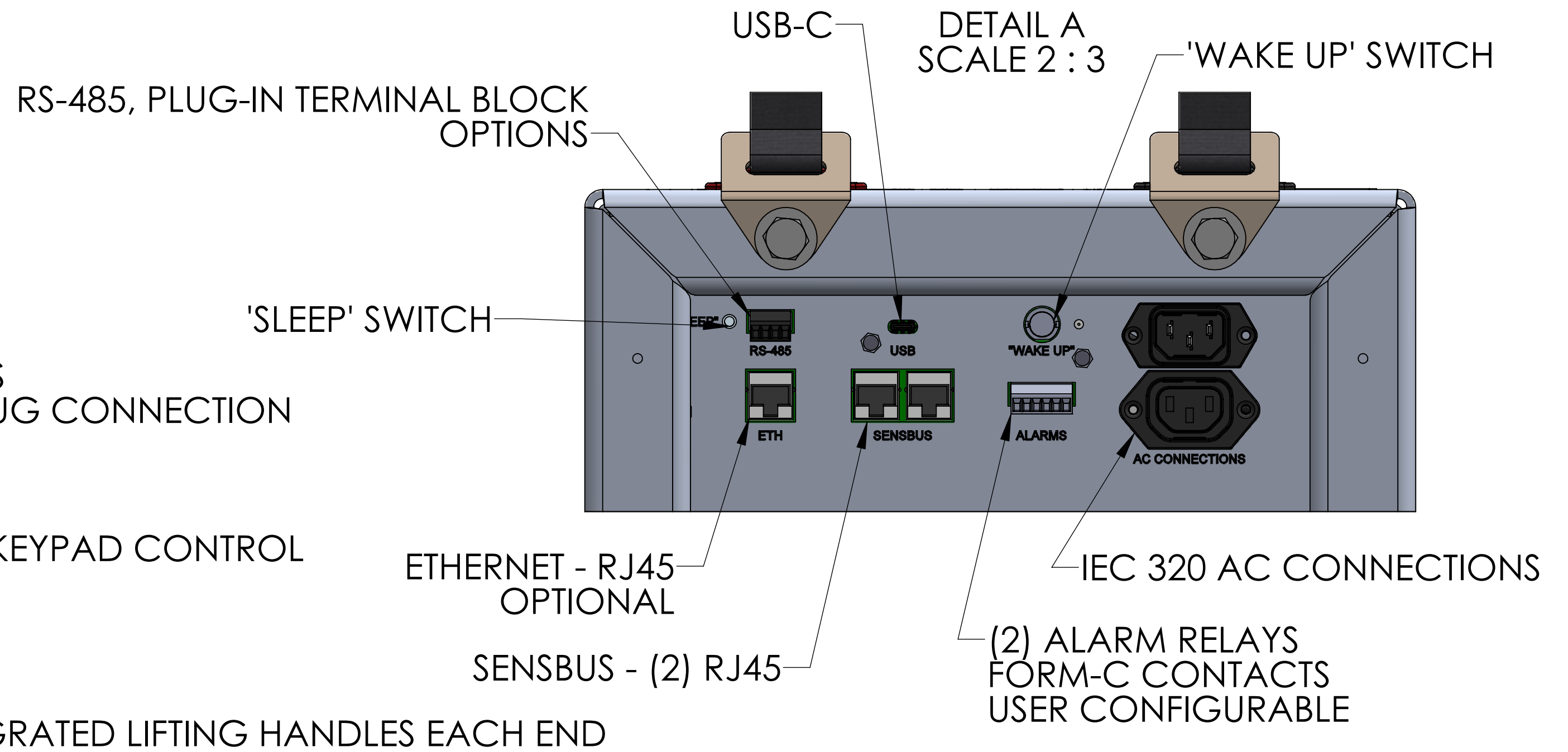
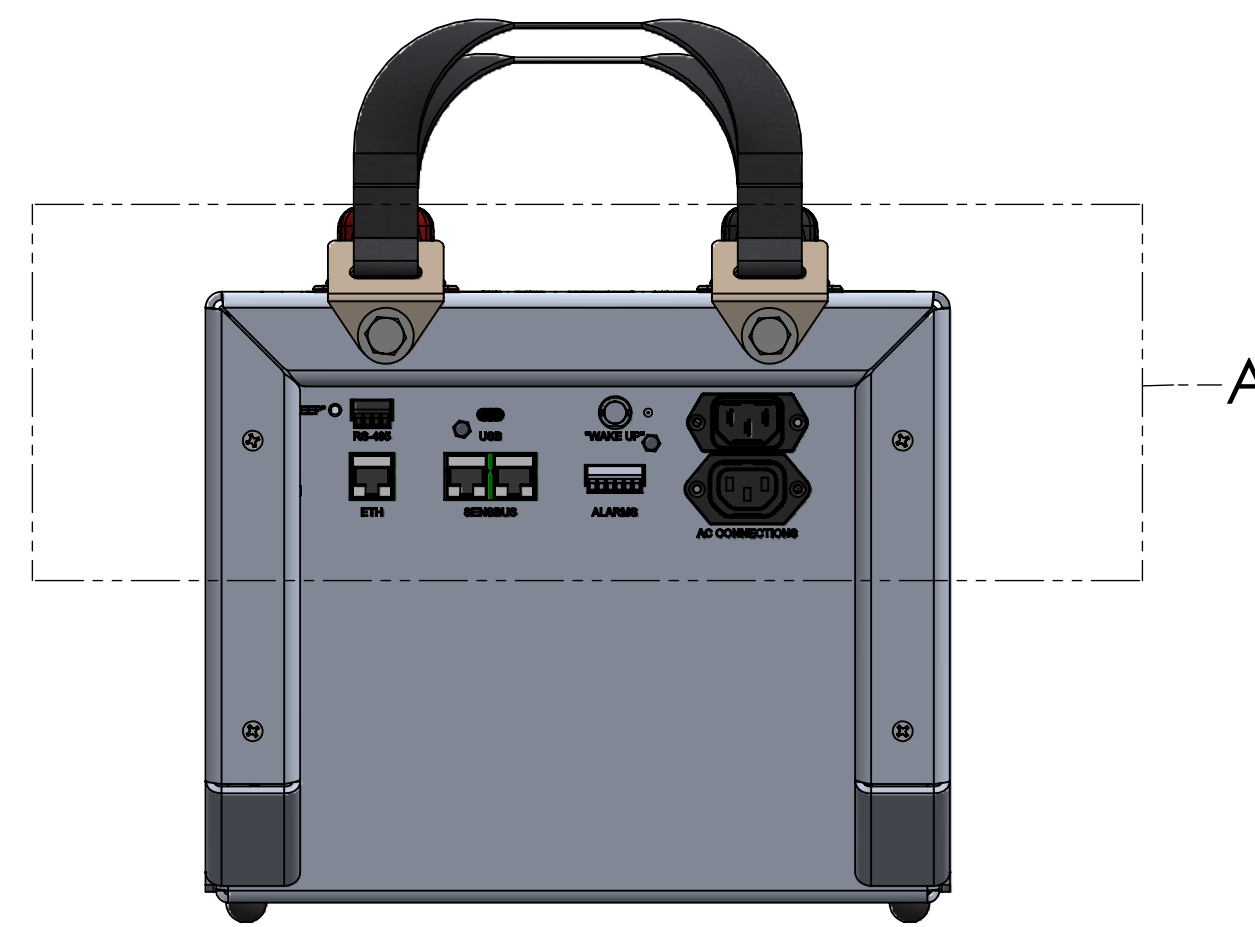
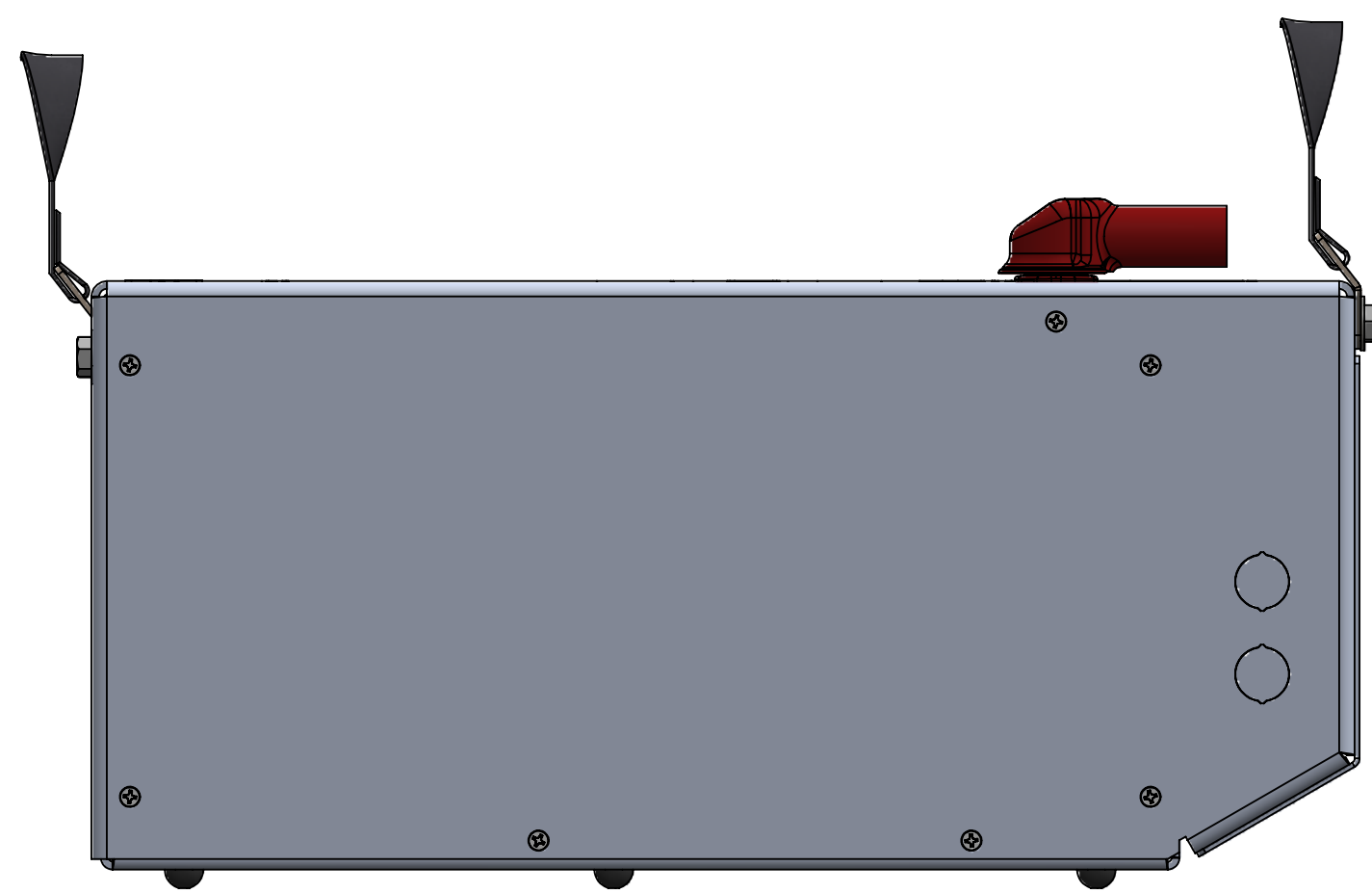


**SUPER TORQUE 8Z ENGINE STARTING SYSTEM**

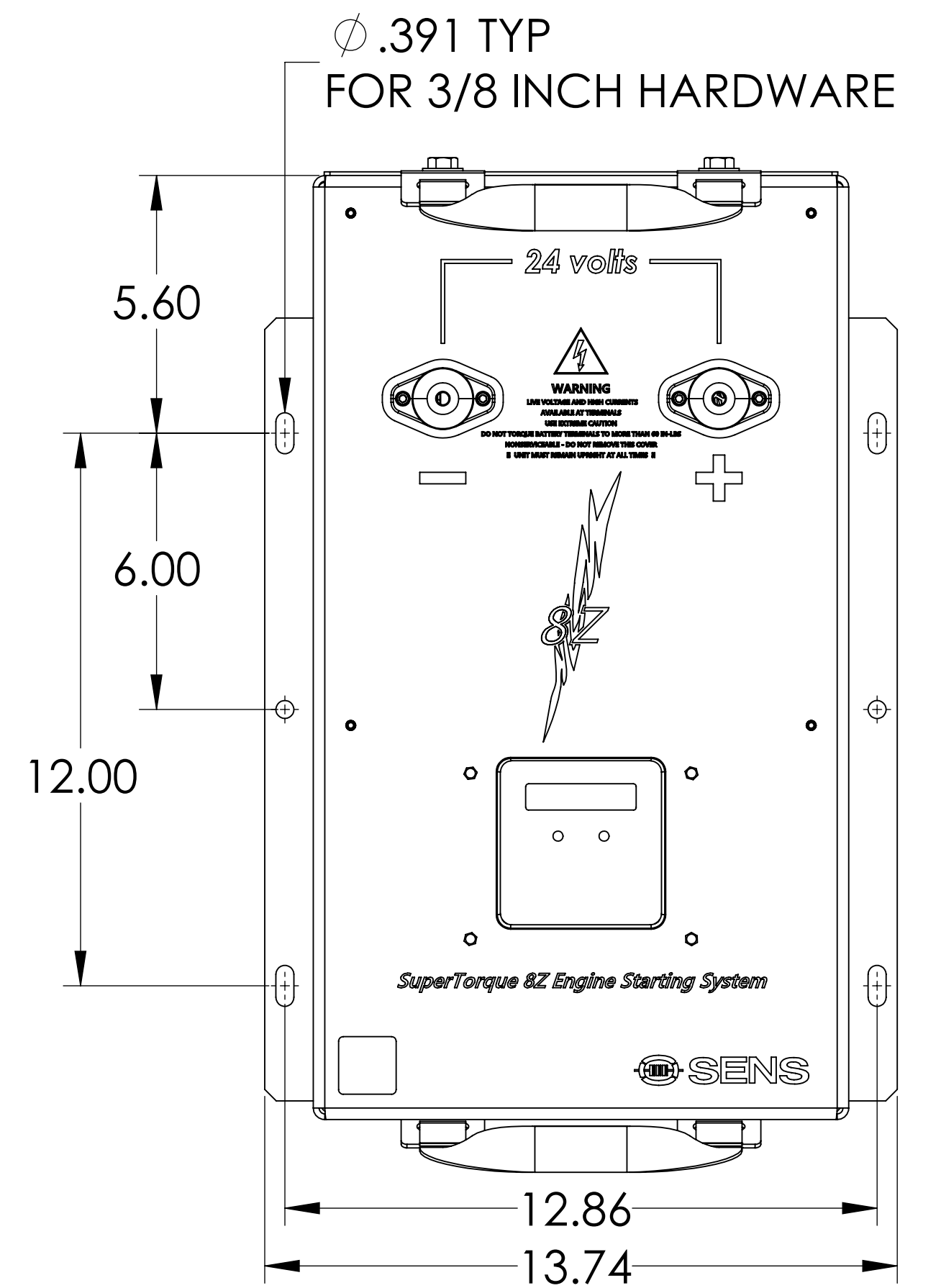
- 24V ENGINE STARTING SYSTEM, 12V MODELS ALSO AVAILABLE
- INTEGRATED BATTERY, CHARGER, AND CONTROL SYSTEM IN AN 8D SIZED PACKAGE
  - INTERNAL NICKEL ZINC BATTERIES
  - INTERNAL SENS MG2 15A CHARGER
  - USER CONNECTIONS ALL EXTERIOR, PROTECTED AND COVERED
- 110-240 VAC INPUT, (4A) VIA IEC 320 CONNECTION,
  - LOCKING AC CORD OPTIONAL
  - LOCKING UL LISTED FIELD TERMINABLE LOCKING CONNECTION OPTIONAL
- COMMUNICATIONS
  - STANDARD - (2) ALARM RELAYS, USB, CANBUS
  - OPTIONAL - RS-485 (MODBUS OR DNP3)
  - OPTIONAL - ETHERNET (NETWORK, TCP/IP MODBUS, DNP3)
- NEMA 3R / IP44 RATED
- UL RECOGNITION/LISTING PENDING
- WEIGHT - 89LBS



THIS VIEW SHOWN IN THE 'RIGID' CONFIGURATION WITH OPTIONAL FIELD WIRING COVER AND RIGID MOUNTING BRACKETS



FLEXIBLE, REMOVABLE BATTERY TERMINAL COVERS STANDARD



MOUNTING BRACKET DIMS VIEW



UNLESS OTHERWISE SPECIFIED:  
DIMENSIONS ARE IN INCHES  
DEFAULT TOLERANCES:  
ANGLES ± 1°  
TWO PLACE DECIMAL ± .02  
THREE PLACE DECIMAL ± .005  
DO NOT SCALE DRAWING

NAME	DATE	DESCRIPTION
ERS	12/29/2021	SuperTorque 8Z Engine Starting System
THIRD ANGLE PROJECTION		SIZE DOCUMENT NUMBER
DIMENSIONS & TOLERANCES PER ASME Y14.5 - 2009		<b>D</b> 8Z Product Oview
		REV 01
		SHEET 1 OF 1