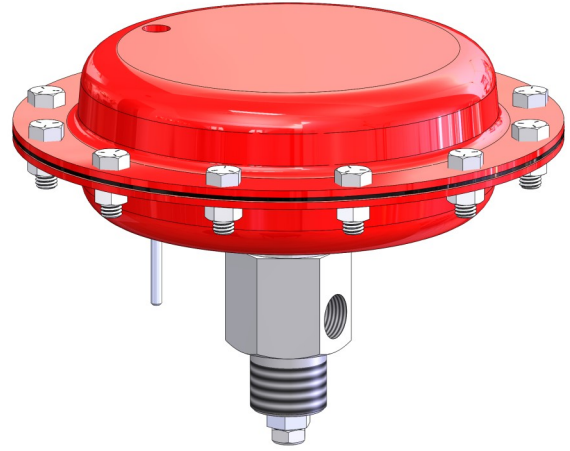


## CV25 Control Valve

The CV25 is a compact, economical dump valve solution. It consists of a freezeless angle body design coupled with a low profile actuator. The plug and seat are both submerged in the process media to give the valve its freezeless characteristic. Typical installations include separators, compressor skids, and other production equipment.

The CV25 is available with a metal to metal or soft seat option, and a NACE option is available for sour service.



## Specifications

### Connections:

- 1" Male NPT x 1" Female NPT,
- 2" Male NPT x 1" Female NPT, or
- 1" Male NPT x 1/2" Female NPT

**Body Type:** Freezeless Angle Body Design

**Trim Characteristic:** Quick Open

**Trim Size:** 0.375" (3/8"), 0.50"

**Pressure Rating:** 2200 psi

**Temperature Range:** -20° F to 200° F (-29° C to 93° C)

**Actuator Size:** No. 35 (35 in<sup>2</sup> area)

**Actuator Action:** Reverse (Fail Closed)

**Input Signal:** 50 psi maximum

### Materials:

- Body:** A105 Steel
- Plug:** 304 Stainless
- Seat:** 304 Stainless, Kynar
- Stem:** 303 Stainless, 316 (Optional)
- Actuator Housing:** Carbon Steel

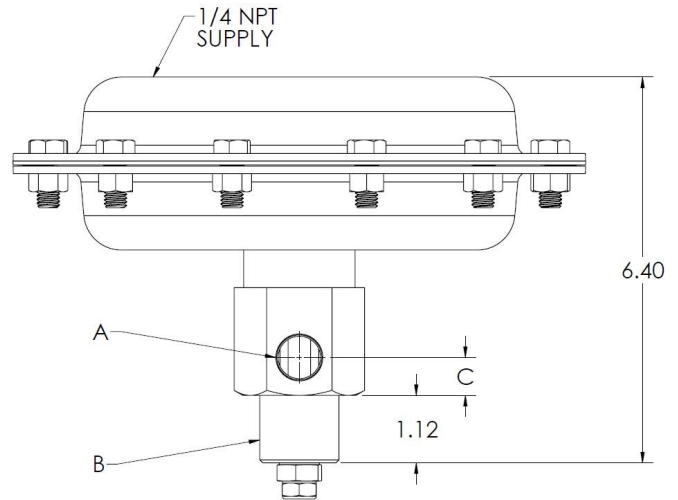
### Approximate Weight:

- 1" x 1" Body: 14 lbs.
- 2" x 1" Body: 15 lbs.
- 1" x 1/2" Body: 13 lbs.

## Cv Values

Cv Values at 100% Open	
Seat Diameter	Cv
0.375"	4.8
0.50"	8.3

## Dimensions



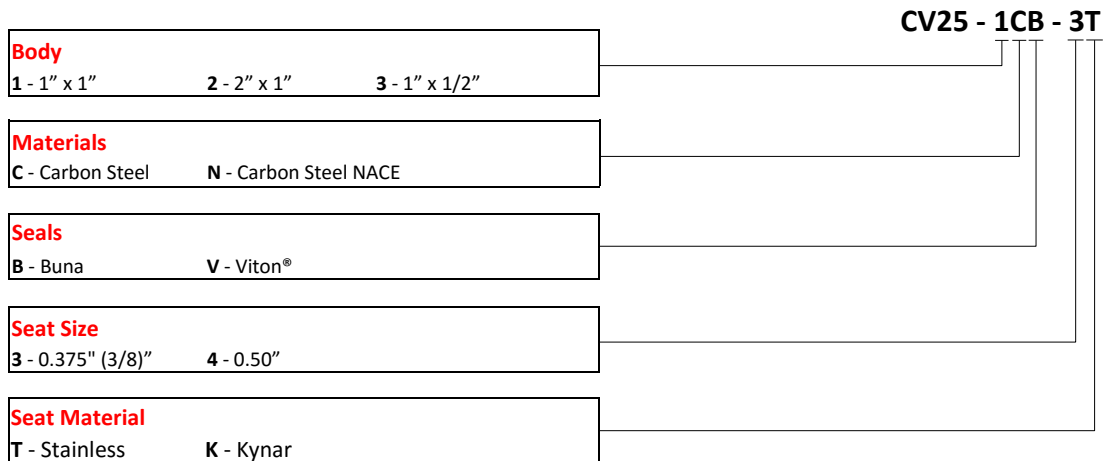
Assembly Dimensions (in.)			
Body Size	A	B	C
1" x 1"	1" NPT	1" NPT	0.75
2" x 1"	2" NPT	1" NPT	0.75
1" x 1/2"	1" NPT	1/2" NPT	0.63

# How to Order

---

Example Model No. **CV25-1CB-3T**

CV25 Series Dump Valve, 1" X 1" Body, Carbon Steel with Buna Seals, 0.375" SST Seat.



Repair Kits Available



Phone: 409-225-5863  
Fax: 409-242-1005  
1009 Laurel Street  
Beaumont, Texas 77701